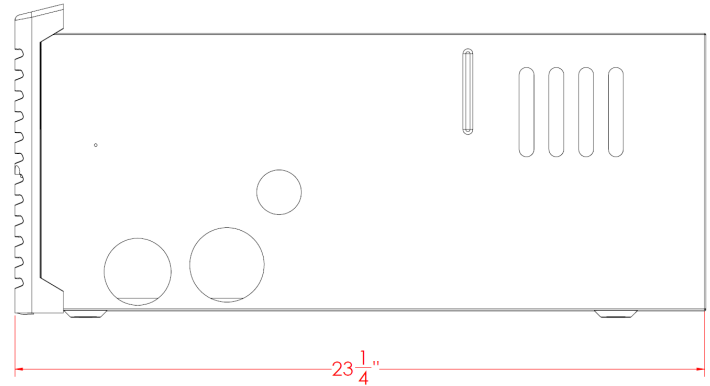
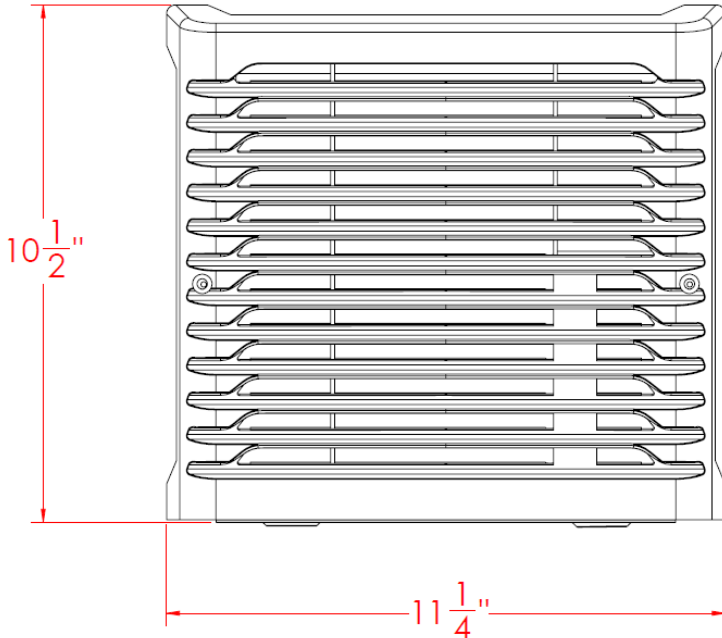




An AIRXCEL Brand

NT-SEQ Series Furnaces

Product Overview



MODELS	NT-16SEQ (2503ABK/APW)	NT-20SEQ (2504ABK/APW)
BTUs	16,000 BTU/H	20,000 BTU/H
MODEL DESIGNATION	NT: NT SERIES FURNACE 16, 20: INPUT SEQ: QUIET, DIRECT DISCHARGE	
KEY FEATURES	ALL FURNACES CAN EASILY BE REMOVED FROM CABINET HOUSING FOR MAINTENANCE	SUBURBAN FURNACES ARE QUIETER EXTENSIVE REDESIGN TO A HIGH EFFICIENCY BLOWER DESIGN TO INCREASE AIR DELIVERY BURNER DESIGN PROVIDES A SOFT AND QUIET FLAME, NOT AN "IN-SHOT" BURNER ONE CABINET SIZE FOR HEATING INPUTS THROUGH 40,000 BTU/H ALL FURNACES CAN EASILY BE REMOVED FROM CABINET HOUSING FOR MAINTENANCE
NT GAS INPUT (BTU/H)	16,000	19,000
VOLTAGE (VDC)	12.0	12.0
NT AMP DRAW (SQ)	2.7	2.7
NT PRODUCT SIZE (H x W x D)	9.5" x 9.38" x 22.5"	9.5" x 9.38" x 22.5"
UNIT WEIGHT (LBS.)	22.0	22
REQUIRED RETURN (IN ²)	55"	55"
DUCTS REQUIRED	2"	2 - 4"
NT DIRECT DISCHARGE COMPOSITE GRILLE COLORS	BLACK (ABK) AND WHITE (APW)	BLACK (ABK) AND WHITE (APW)
AVAILABLE DOOR COLORS (CUSTOM COLORS AVAILABLE UPON REQUEST)	N/A	COLONIAL WHITE, POLAR WHITE, BLACK
WARRANTY	2 YEAR LIMITED WARRANTY	

NOTE: Gas appliances such as this must be installed only by a qualified Suburban technician.



An Amazing Amount of Comfort...

The NT-SEQ Series furnace from Suburban is the perfect heating solution for smaller spaces. This furnace performs at its best in smaller RVs, trailers, truck campers, and even pop ups. With heat Inputs of 16,000 and 19,000 BTU/h, you can make colder temperatures more enjoyable.

NT-SEQ models are direct discharge furnaces with attractive grilles for zone heating. There is also the choice of a side duct available for additional distribution of warm air, ensuring your coach is as comfortable as can be.



...In a Compact Cabinet

- Quieter furnace than competitors
- Extensive redesign to a high efficiency blower design to increase air delivery
- Burner design provides a soft and quiet flame, not an "in-shot" burner
- Direct discharge for zone heating of smaller interiors
- One cabinet size for heating inputs through 40,000 BTU/h
- All furnaces can easily be removed from cabinet housing for maintenance
- Sealed forced-draft combustion
- Direct spark ignition

